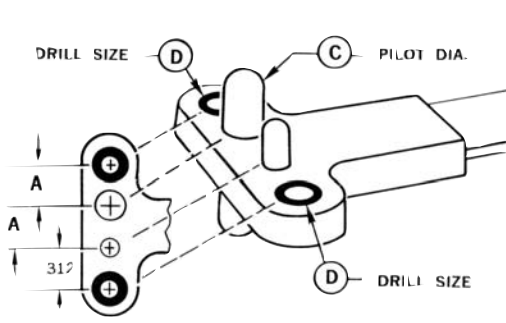
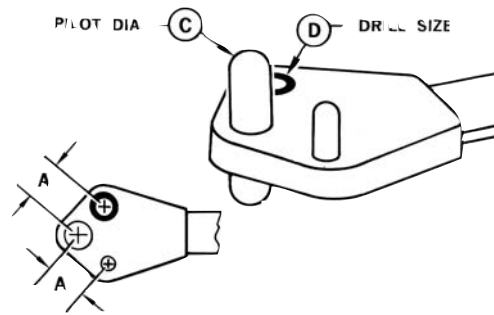


Nut Plate Drill Jigs

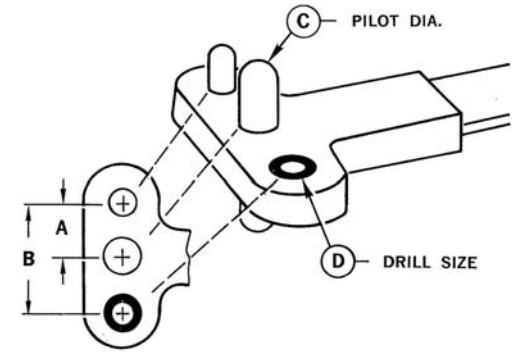
Corner Type Style 1



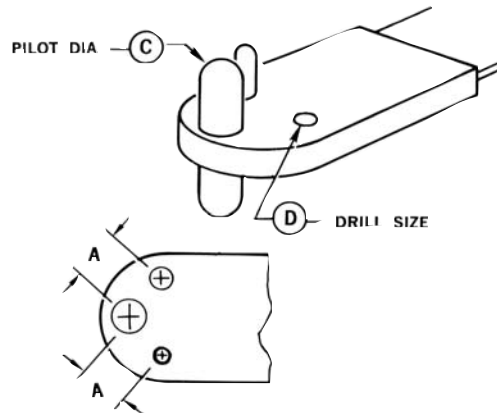
One Lug Type Style 1



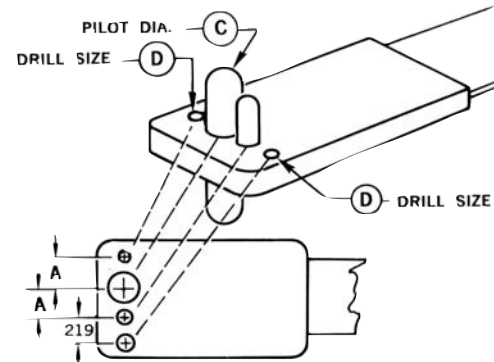
Two Lug Type Style 1



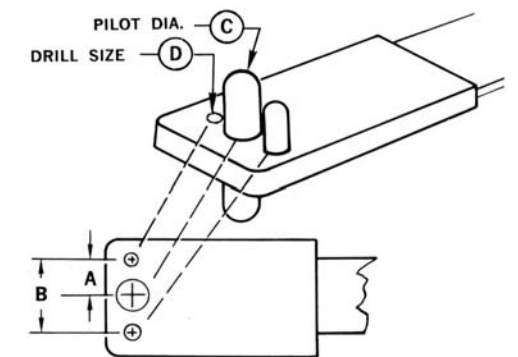
Corner Type Style 2



One Lug Type Style 2



Two Lug Type Style 2



Mini Anchornut Type

