



34-725A Alligator Jaw Compression Riveter

- Good balance, easy handling
- Safety approved throttle lever.
- 90° swiveling air inlet.
- Tool steel roller bearings and shafts.
- Good availability of replacement parts.
- Operates with little or no oil.
- Air Pressure: 90 Psi. (60 Bar)



Model No. **34-725A-2-1/4** Shown.

Toll Free Nationwide & Canada: **800-645-8180**

USATCO\U.S. AIR TOOL COMPANY, INC. www.USATCO.com NEW YORK • CALIFORNIA

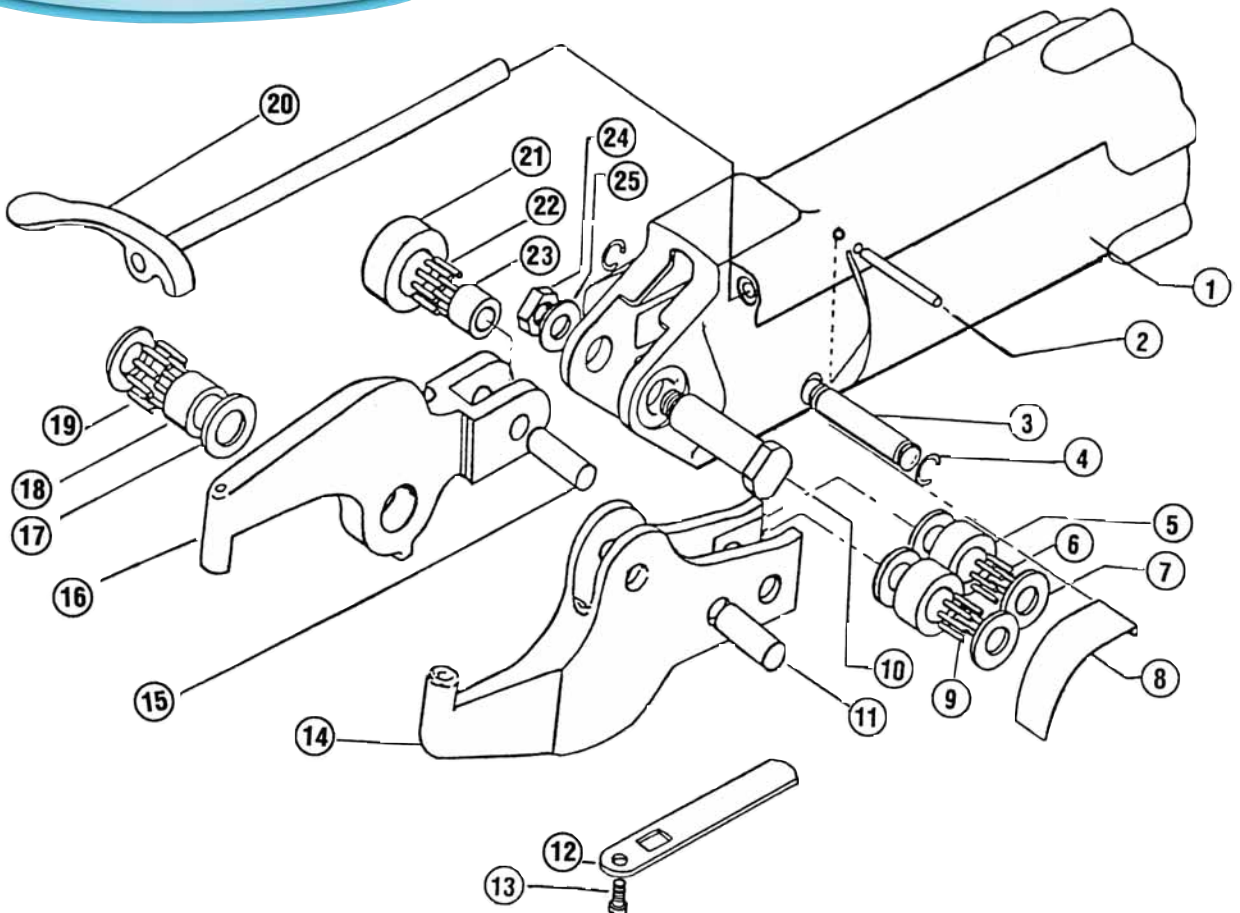
34-725A Alligator Jaw Compression Riveter

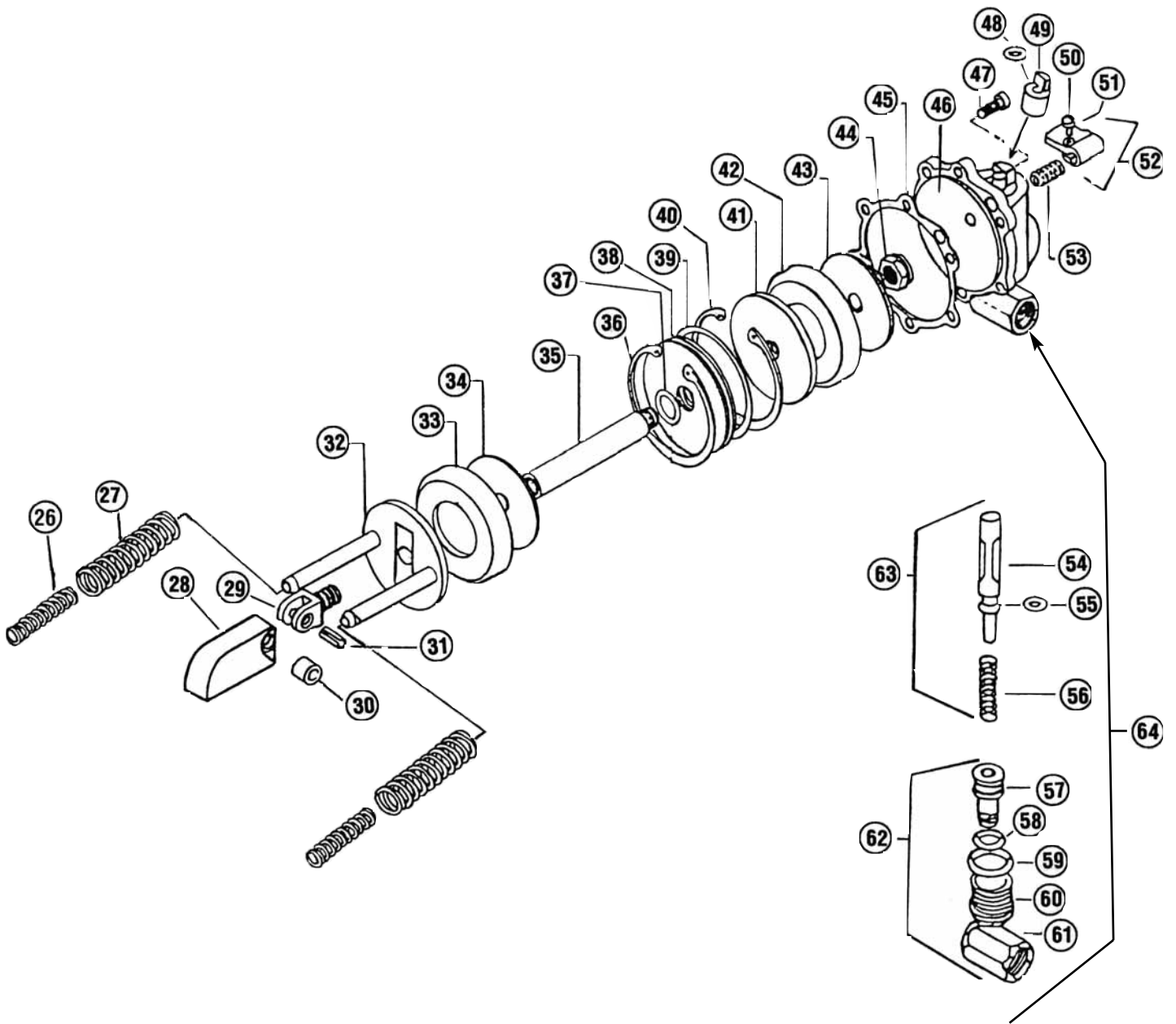
All parts shown on this list are interchangeable with like items offered by Chicago Pneumatic, Deutsch APT, and several other makes.

| Model Number | Standard Yoke Dimensions | | Gap | Moving Jaw | | Set Hole Size | Jaw Part No. | | Capacity Cold Rivet | | Max. Force 90PSI Air Pressure | Net Weight lbs. | O.A. Length | Air Inlet Thd. Size |
|---------------|--------------------------|--------|--------|-------------|----------------------|---------------|----------------|------------|---------------------|------------|-------------------------------|-----------------|-------------|---------------------|
| | Reach | Height | | Max. Travel | Stroke At Max. Force | | Stationary Jaw | Moving Jaw | Dia. Alum. | Dia. Steel | | | | |
| 32-725A-1-1/2 | 1-1/2 | 7/8" | 1-5/8" | 5/8" | Final 1/16" | 3/16" | 38-457 | 38-458 | 3/16" | 5/32" | 6,000 | 5-1/2 | 12" | 1/4" |
| 32-725A-2-1/4 | 2-1/4 | 7/8" | 1-3/4" | 7/8" | Final 3/32" | 3/16" | 38-1213 | 38-1214 | 5/32" | 1/8" | 4,300 | 6 | 13" | 1/4" |
| 32-725A-3 | 3 | 7/8" | 2-1/8" | 1-1/4" | Final 1/8" | 3/16" | 38-1215 | 38-1216 | 1/8" | 3/32" | 3,400 | 6-1/4 | 13-3/4" | 1/4" |

Note: Our well equipped tool repair shop can repair or rebuild any currently used rivet squeezer. Let our experience and knowhow save you money and lost time.

Free Estimates!





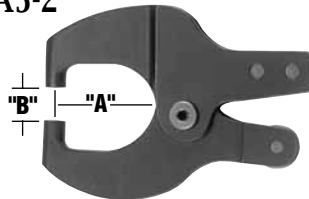
Alligator Yokes for the 34-725A Rivet Squeezer

64-A5-1



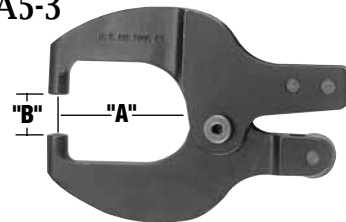
Reach 'A': 1.54"
Gap 'B': .89"

64-A5-2



Reach 'A': 2.35"
Gap 'B': .89"

64-A5-3



Reach 'A': 3.125"
Gap 'B': .89"

USATCO\U.S. Air Tool Company, Inc.

Eastern Division60 Fleetwood Ct., Ronkonkoma, NY 11779-6951 tel: (631) 471-3300 fax: (631) 471-3308

Western Division1219 W. Mahalo Place, Rancho Dominguez, CA 90220-5446 tel: (310) 632-5400 fax: (310) 632-3900

| Index No. | Part No. | Description | Qty. |
|-----------|----------|---|------|
| 1 | 38-841 | Cylinder | 1 |
| 2 | 38-413 | Dowel Pin | 1 |
| 3 | 38-471 | Roller Bearing Shaft | 1 |
| 4 | 38-551 | Lock Ring | 2 |
| 5 | 38-469 | Roller Bearing | 2 |
| 6 | 38-626 | Needle Bearing | 20 |
| 7 | 38-472 | Washer | 4 |
| 8 | 38-455 | Return Spring | 1 |
| 9 | 38-626 | Needle Bearing | 20 |
| 10 | 38-482 | Bolt | 1 |
| 11 | 38-470 | Roller Bearing Shaft | 1 |
| 12 | 38-473 | Roller Bearing Guard | 1 |
| 13 | 38-188 | Screw | 1 |
| 14 | | Stationary Alligator Jaw (see chart for sizes) | 1 |
| 15 | 38-550 | Bearing Shaft | 1 |
| 16 | | Moving Alligator Jaw (see chart for sizes) | 1 |
| 17 | 38-481 | Washer | 2 |
| 18 | 38-480 | Inner Bearing Roller | 1 |
| 19 | 38-626 | Needle Bearing | 35 |
| 20 | 38-795 | Throttle Valve Lever | 1 |
| 21 | 38-478 | Outer Bearing Roller | 1 |
| 22 | 38-626 | Needle Bearing | 29 |
| 23 | 38-479 | Inner Bearing Roller | 1 |
| 24 | 38-184 | Hex Nut | 1 |
| 25 | 38-177 | Washer | 1 |
| 26 | 38-467 | Inner Spring | 2 |
| 27 | 38-468 | Outer Spring | 2 |
| 28 | 38-2132 | Wedge | 1 |
| 29 | 38-2130 | Piston Shaft Fork | 1 |
| 30 | 38-465 | Spacer | 1 |
| 31 | 38-466 | Roll Pin | 1 |
| 32 | 38-438 | Piston | 1 |
| 33 | 38-460 | Cup Leather | 1 |
| 34 | 38-461 | Plate | 1 |
| 35 | 38-1325 | Piston Shaft | 1 |
| 36 | 38-927 | Truarc Ring | 1 |
| 37 | 38-922 | "O" Ring (-112) | 1 |
| 38 | 38-929 | Spacer | 1 |
| 39 | 38-923 | "O" Ring (-136) | 1 |
| 40 | 38-927 | Truarc Ring | 1 |
| 41 | 38-930 | Rear Piston | 1 |
| 42 | 38-460 | Cup Leather | 1 |
| 43 | 38-461 | Plate | 1 |
| 44 | 38-463 | Locknut | 1 |
| 45 | 38-483 | Gasket | 1 |
| 46 | 38-940 | Cylinder Head (includes index no. 48,49) | 1 |
| 47 | 38-410 | Screw | 6 |
| 48 | 38-5138 | "O" Ring (-010) | 1 |
| 49 | 38-6309 | Bushing | 1 |
| 50 | 38-628 | Screw | 1 |
| 51 | 38-901 | Throttle Lever | 1 |
| 52 | 38-944 | Throttle Lever Assembly (includes index no. 50,51) | 1 |
| 53 | 38-200 | Spring | 1 |
| 54 | 38-6298 | Throttle Valve (standard) | 1 |
| 55 | 38-566 | "O" Ring (-008) | 1 |
| 56 | 38-3577 | Spring | 1 |
| 57 | 38-1585 | Air Inlet Swivel | 1 |
| 58 | 38-491 | "O" Ring (-012) | 1 |
| 59 | 38-488 | "O" Ring (-014) | 1 |
| 60 | 38-489 | Nut | 1 |
| 61 | 38-522 | Elbow (90° - 1/4" pipe) | 1 |
| 62 | 38-2436 | Air Inlet Swivel Complete (includes index no. 57-60) | 1 |
| 63 | 38-6346 | Valve Assembly (includes index no. 54,55,56) | 1 |
| 64 | 38-943 | Cylinder Head Assembly Complete (includes index no. 46,62,63) | 1 |



J-P Tools MFG. Co. Div.
**USATCO\U.S. Air
Tool Company, Inc.**

60 Fleetwood Court
Ronkonkoma, NY 11779-6951
631-471-3300 fax: 631-471-3308

Also Located At: Rancho Dominguez, California