



Snake Drill Attachment w/Grease Fitting Parts List

Important: This Angle Drill Attachment was produced entirely in the U.S.A., using the highest quality materials available. The following information is provided to help keep your tool in top condition. All attachments are right hand drive only. Maximum RPM 2,500. Do not force cutting action with dull tooling, abuse will ruin gears.

Lubrication: This tool is now greased with a quality gear lubricant (Dotco or equal). Lubricate gears and drive shaft occasionally to extend life of these parts.

Note: Angle Head (1) and Retainer Bearing (7) are removed by turning right hand.

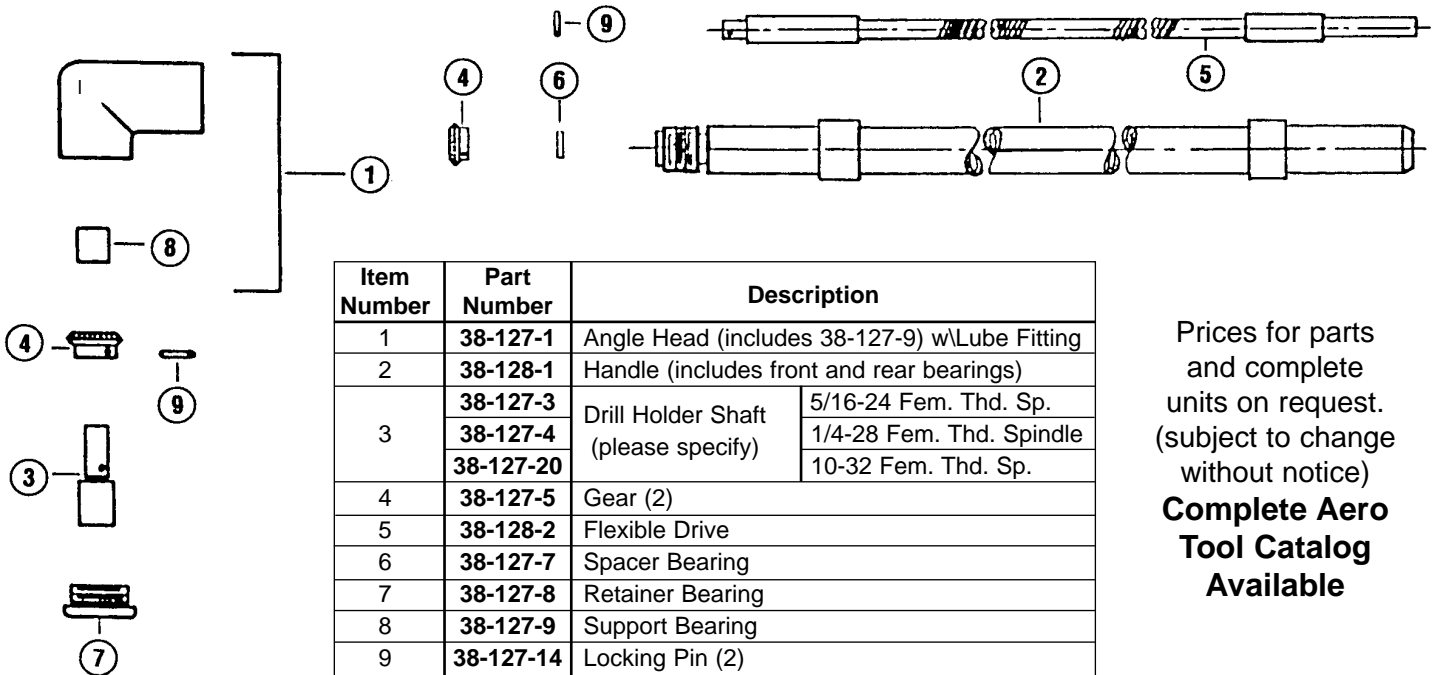


**ANGLE DRILL
CONVERSION ASSEMBLY**
 Convert any 1/4-28 angle or
 snake drill to convenient
 keyed chuck mode.
 Consists of 1/4-28 adapter and
 5/32" capacity chuck with key.
 No.
 53-77

No. 20-128-3 (5/16-24)

No. 20-128-4 (1/4-28)

No. 20-128-20 (10-32)



Prices for parts
 and complete
 units on request.
 (subject to change
 without notice)
**Complete Aero
 Tool Catalog
 Available**

Toll Free Nationwide & Canada: **800-645-8180**

USATCO\U.S. AIR TOOL COMPANY, INC. www.USATCO.com NEW YORK • CALIFORNIA

Threaded Shank Adapter Drills ~ High Speed Steel ~ NAS965

Quickly attaches to angle drills and snake drills. 1/4-28 Thd. standard (10-32, 6/16-24 available on request).

Note: When ordering, please specify series number & size.

Example: For a 3/32" Stubby, order **02-2921-3/32** **Other Sizes Available, Please Inquire**

SHORT LENGTHS



1/4-28 THREADED SHANK X 1-1/4" O.A.L.

Fractional Sizes (series 02-2961)	Wire Gauge Sizes (series 02-2962)	Letter Sizes (series 02-2963)	Millimeter Sizes (series 02-2964)
Size	Size	Size	Size
3/32"	3	D	2.3
1/8"	10	F	3.17
5/32"	11	G	3.96
3/16"	16	J	4.76
7/32"	20		6.35
1/4"	21		
5/16"	27		
3/8"	30		
	40		
	41		

LONG LENGTHS



1/4-28 THREADED SHANK X 2-1/8" O.A.L.

Fractional Sizes (series 02-2971)	Wire Gauge Sizes (series 02-2972)	Letter Sizes (series 02-2973)	Millimeter Sizes (series 02-2974)
Size	Size	Size	Size
3/32"	10	D	2.3
1/8"	21	F	3.17
5/32"	30	G	3.96
3/16"	40	J	4.76
1/4"			6.35

STUBBY LENGTHS



1/4-28 THREADED SHANK X 3/4" O.A.L.

Fractional Sizes (series 02-2921)	Wire Gauge Sizes (series 02-2922)	Letter Sizes (series 02-2923)	Millimeter Sizes (series 02-2924)
Size	Size	Size	Size
3/32"	10	D	2.3
1/8"	21	F	3.17
5/32"	30	G	3.96
3/16"	40	J	4.76
7/32"			6.35
1/4"			
17/64"			
9/32"			
5/16"			

USATCO U.S. Air Tool Company, Inc.

Eastern Division60 Fleetwood Ct., Ronkonkoma, NY 11779-6951 tel: (631) 471-3300 fax: (631) 471-3308

Western Division1219 W. Mahalo Place, Rancho Dominguez, CA 90220-5446 tel: (310) 632-5400 fax: (310) 632-3900